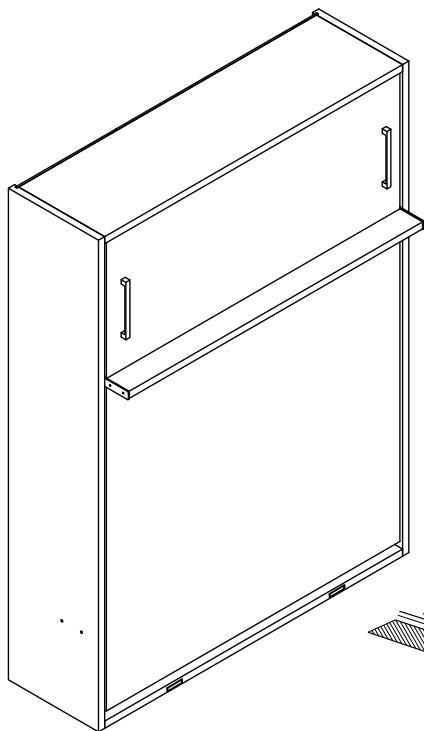


MULTiMO

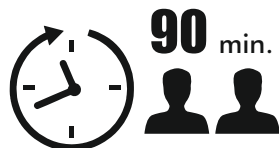
1111- LOFT BED

1111C- LOFT BED CONVERTIBLE



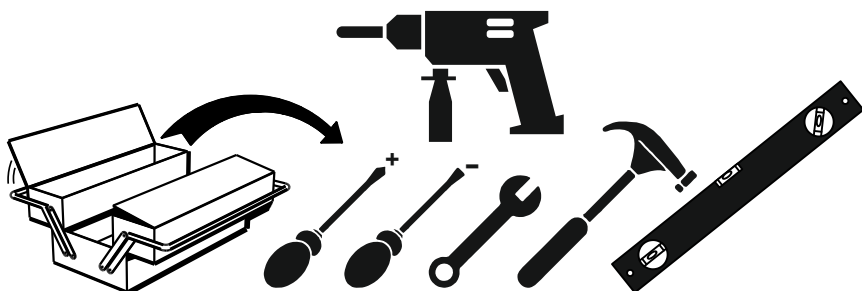
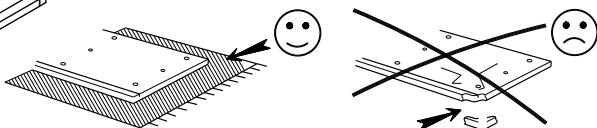
50 min.

Technical Service



90 min.

End User



VIDEO

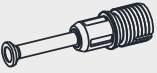


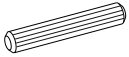
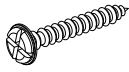
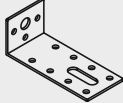
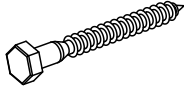


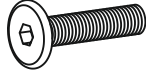
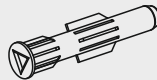
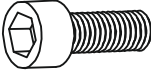


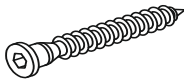

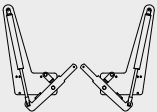
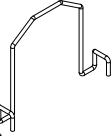




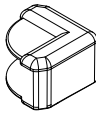


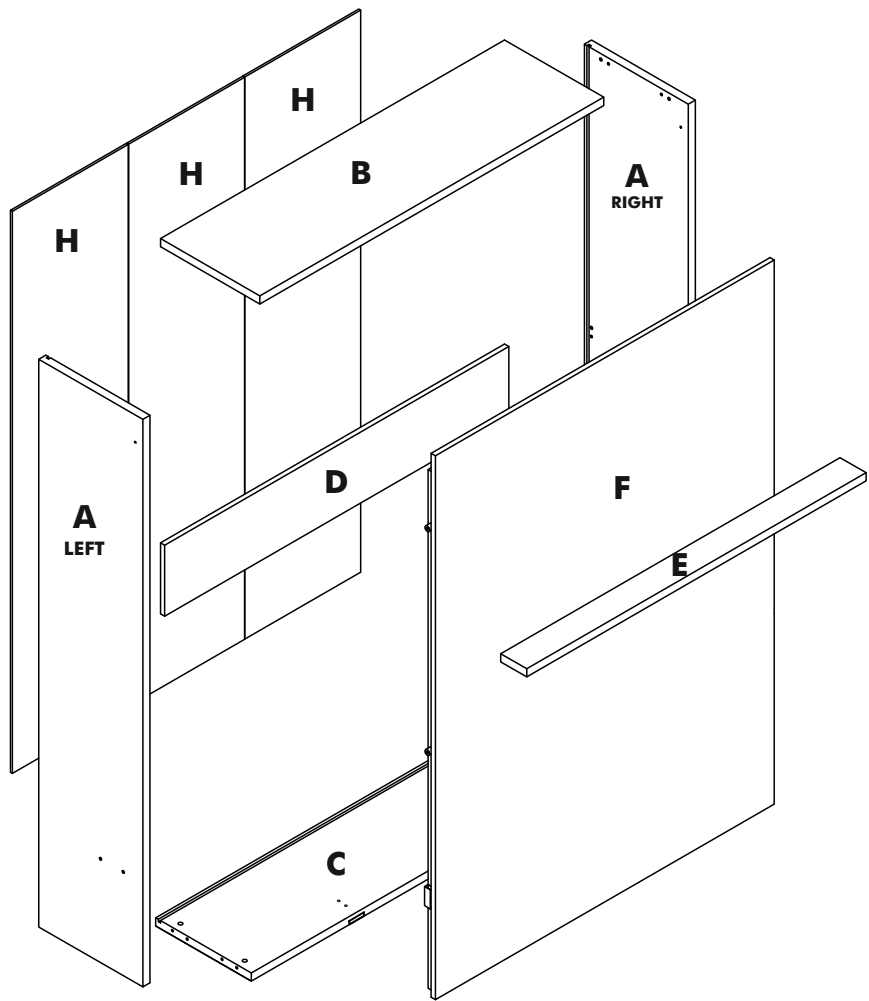
<https://youtu.be/27xGKVtWoi8>

Assembly Instructions

Track Title	Piece	(inch)			(mm)			
		Thickness	Length	Width	Piece	Thick	Height	Most
A-R / A-L	2	1,18	81,89	17,32	2	30	2080	440
B	1	1,18	57,48	16,50	1	30	1460	419
C	1	1,18	57,48	17,28	1	30	1460	439
D	1	0,71	57,48	10,24	1	18	1460	260
E	1	1,18	56,61	4,33	1	30	1438	110
F	1	0,71	78,46	56,46	1	18	1993	1434
H	3	0,31	80,98	19,33	3	8	2057	491

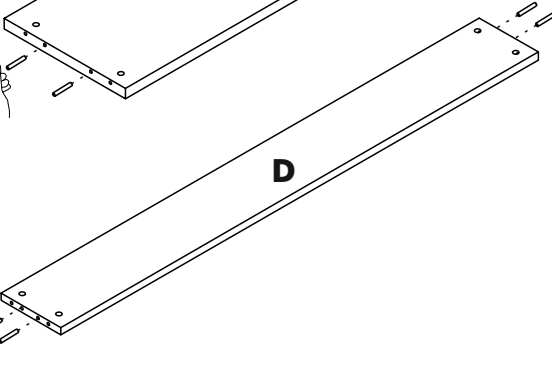
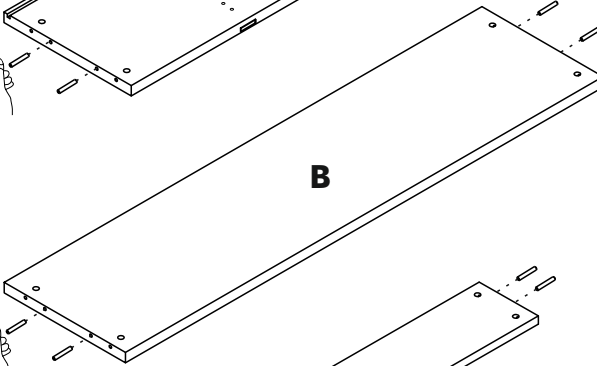
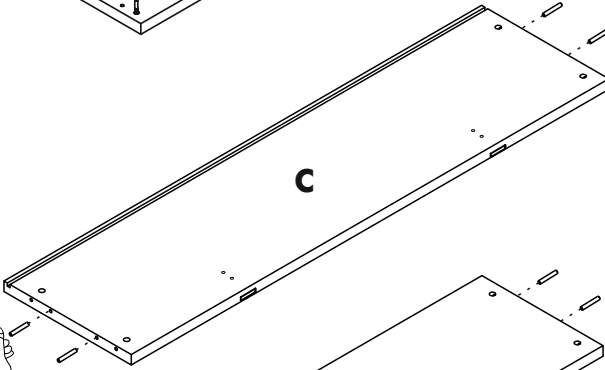
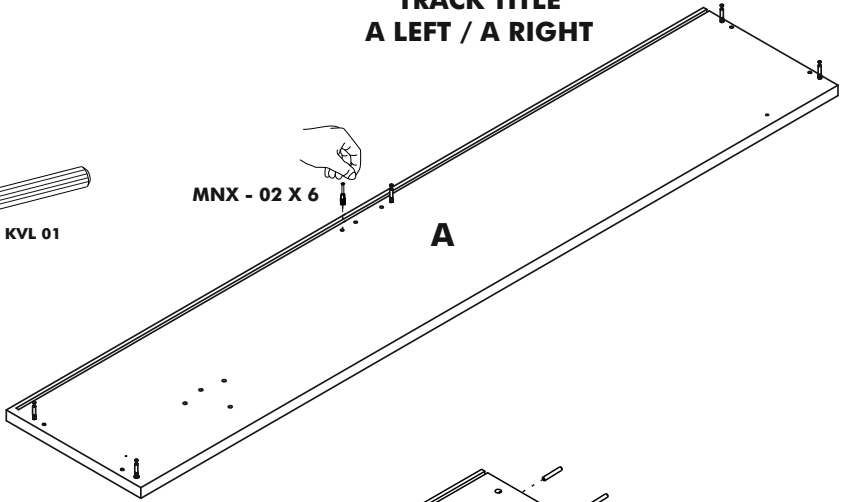
Accessories List

<p>MNX 02</p>  <p>12 / piece</p> <p>VD - 02 (3,5x25) mm</p>	<p>MNG - 01</p>  <p>12 / piece</p> <p>DSE - 01 (40x90x32) mm</p>	<p>OT-054</p>  <p>2 / piece</p> <p>TFC - 01(8x70) mm</p>	<p>KVL 01</p>  <p>12 / piece</p> <p>PL - 02 (8x22x1) mm</p>
 <p>19 / piece</p> <p>VTB - 01 (4,8x16) mm</p>	 <p>3 / piece</p> <p>CT - 01 (6x40) mm</p>	 <p>3 / piece</p> <p>DD - 01 (R10)</p>	 <p>3 / piece</p> <p>IM - 01 (6x30) mm</p>
 <p>12 / piece</p> <p>KP - 01 (224) mm</p>	 <p>2 / piece</p> <p>VKP - 01 (22) mm</p>	 <p>3 / piece</p> <p>VDA - 01 (6,5x50) mm</p>	 <p>4 / piece</p> <p>AVT - 01</p>
 <p>2 / piece</p> <p>MKZ - 02</p>	 <p>4 / piece</p> <p>TTC 01</p>	 <p>4 / piece</p> <p>TAP - 01</p>	 <p>7 / piece</p> <p>TAP - 02</p>
 <p>1 / piece 1200 N</p> <p>SC - 76</p>	 <p>4 / piece</p> <p>H 01</p>	 <p>12 / piece</p> <p>KKS - 01</p>	 <p>4 / piece</p>
 <p>2 / piece</p>	 <p>2 / piece</p>	 <p>2 / piece</p>	



STEP 1

TRACK TITLE
A LEFT / A RIGHT

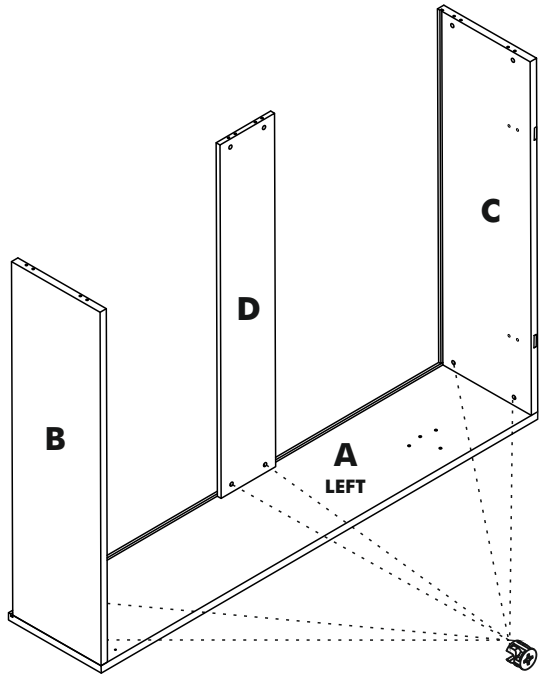


VIDEO

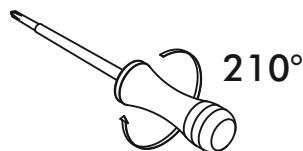


<https://youtu.be/HOhetnTUF0>

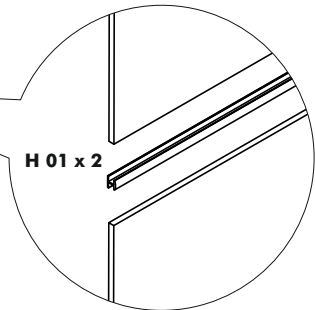
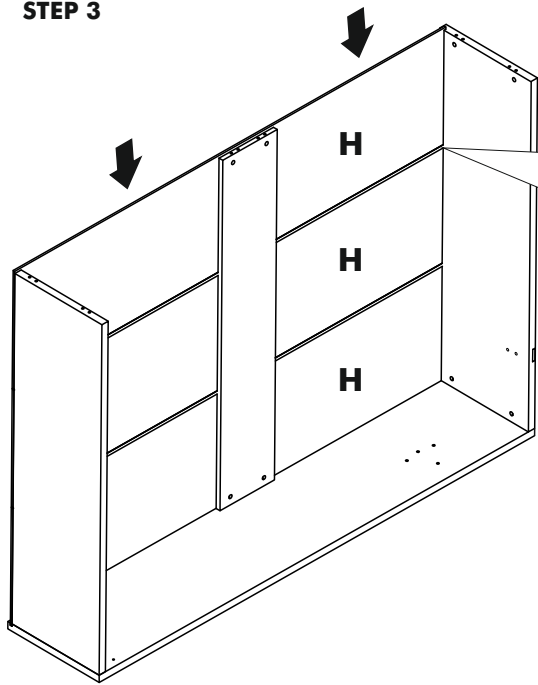
STEP 2



MNG - 01 x 6



STEP 3



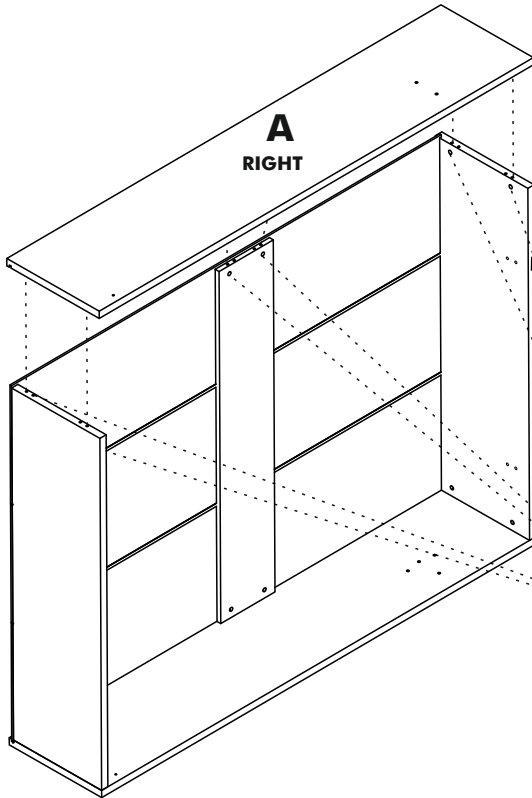
VIDEO



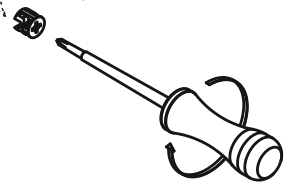
STEP 4



MNG - 01



MNG - 01 x 6



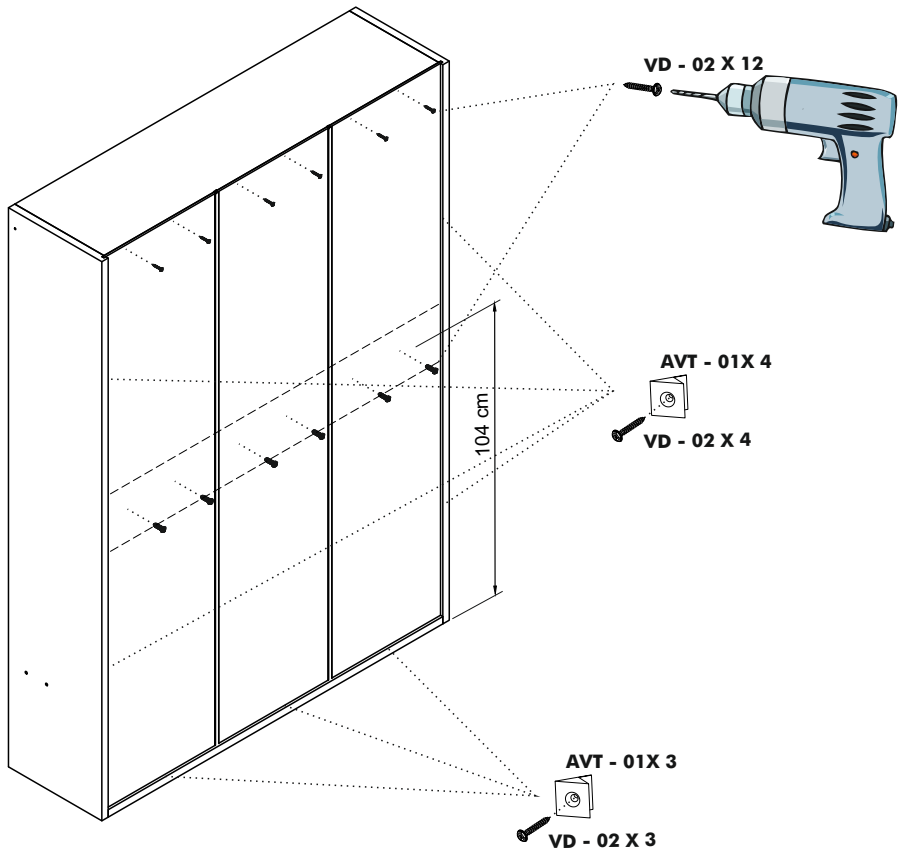
210°

VIDEO



<https://youtu.be/SshqN8VK7ac>

STEP 5

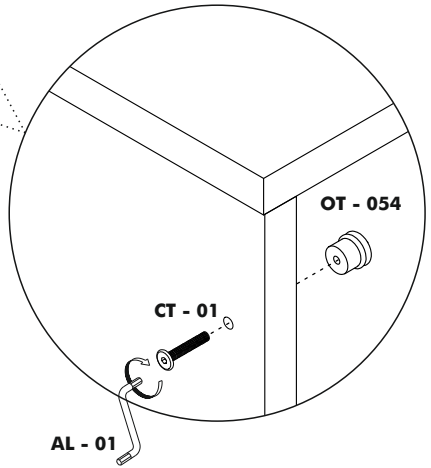
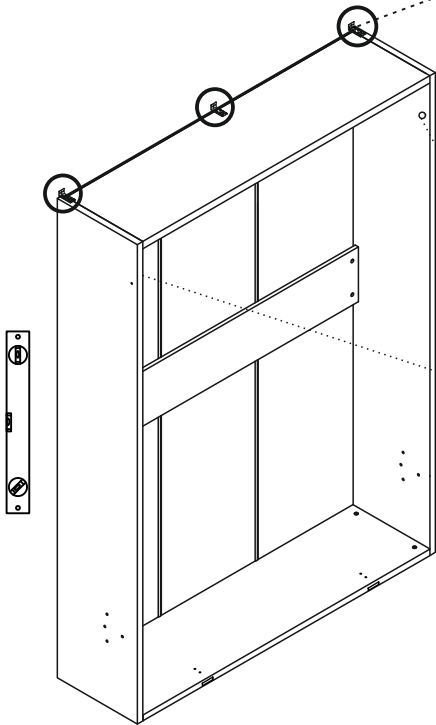
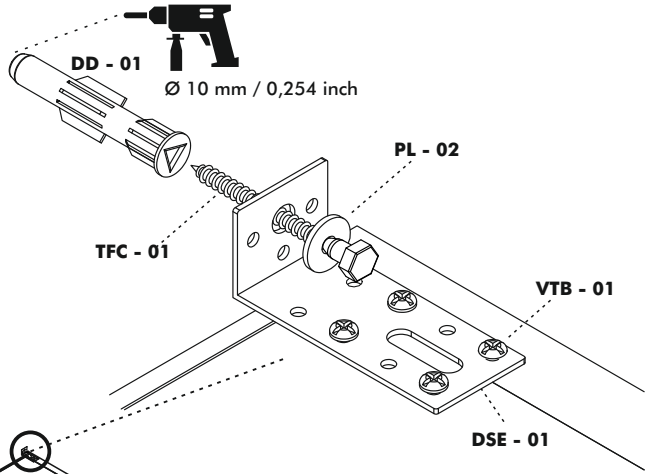


VIDEO



<https://youtu.be/S7Pd6HMJuIM>

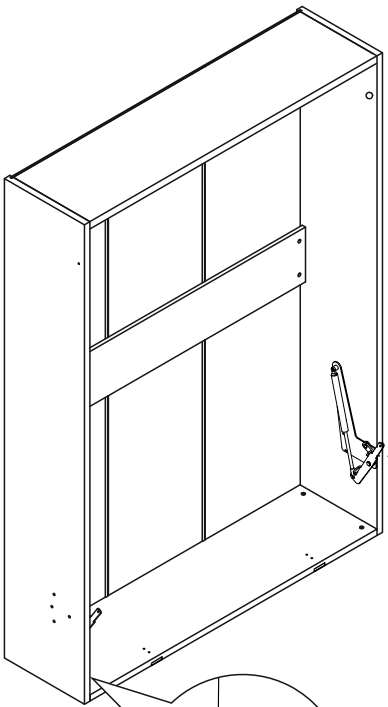
STEP 6



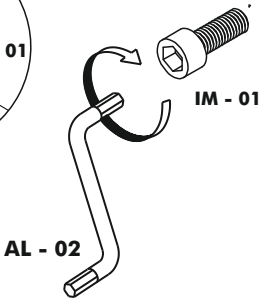
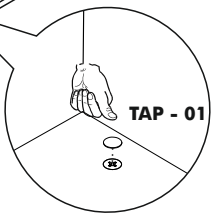
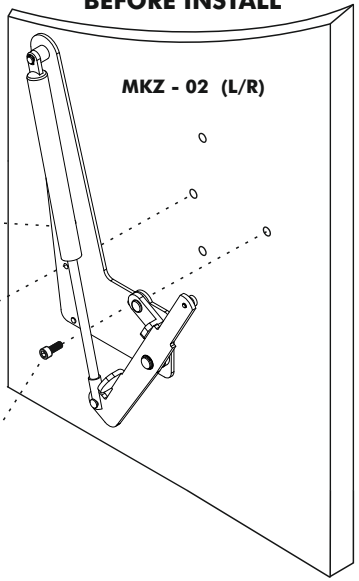
VIDEO



STEP 7



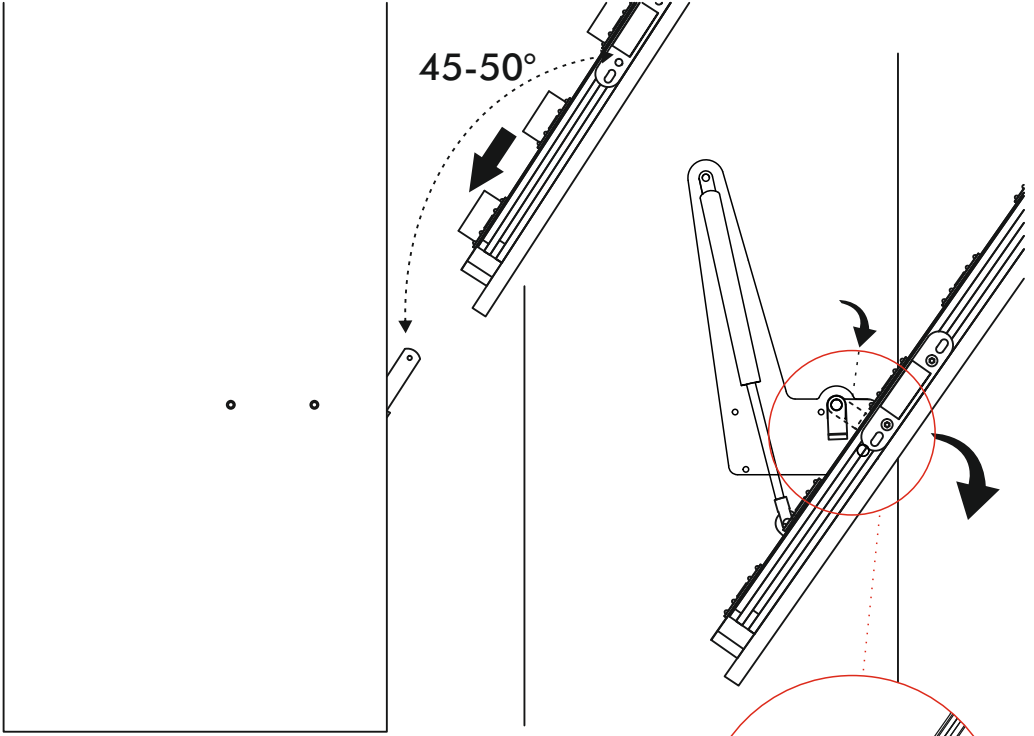
CAUTION
DO NOT UNLOCK
BEFORE INSTALL



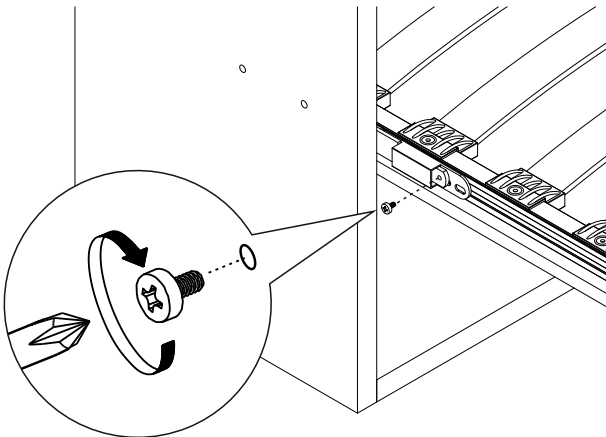
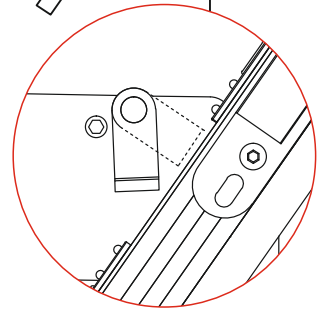
VIDEO



STEP 8



**KAPAK KAPATILMADAN KİLİDİ İNDİRİN !!!
LET THE STOPPER LOCK MOVE DOWN !!!**

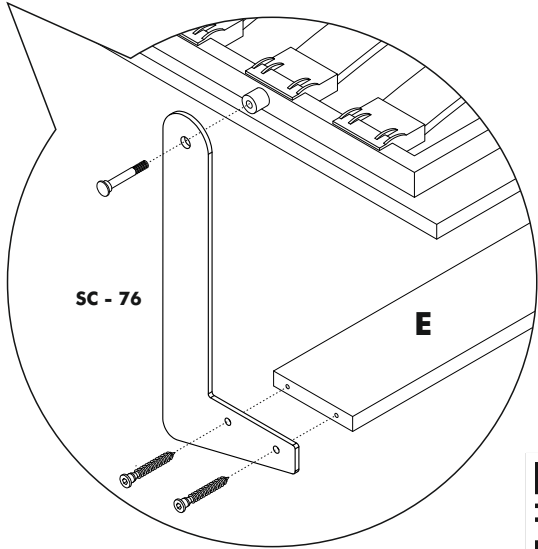
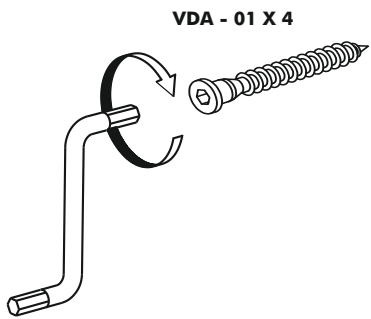
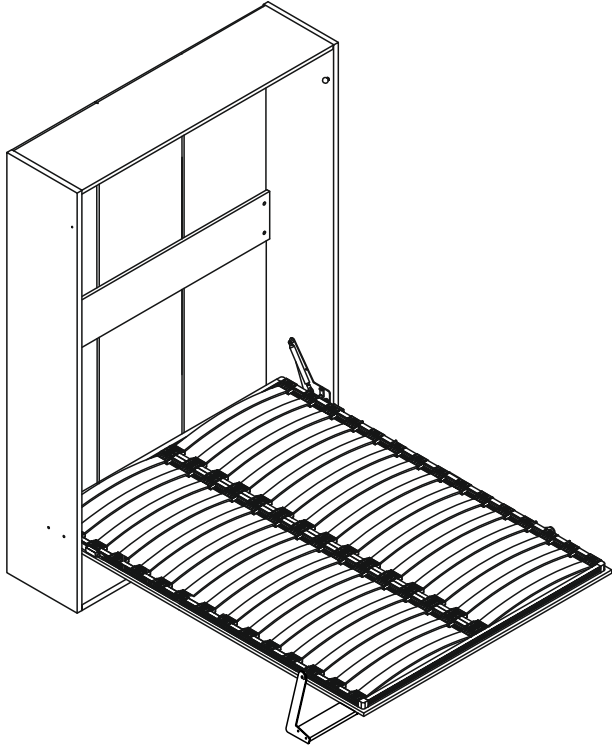


VIDEO



<https://youtu.be/xg7ieYupWWI>

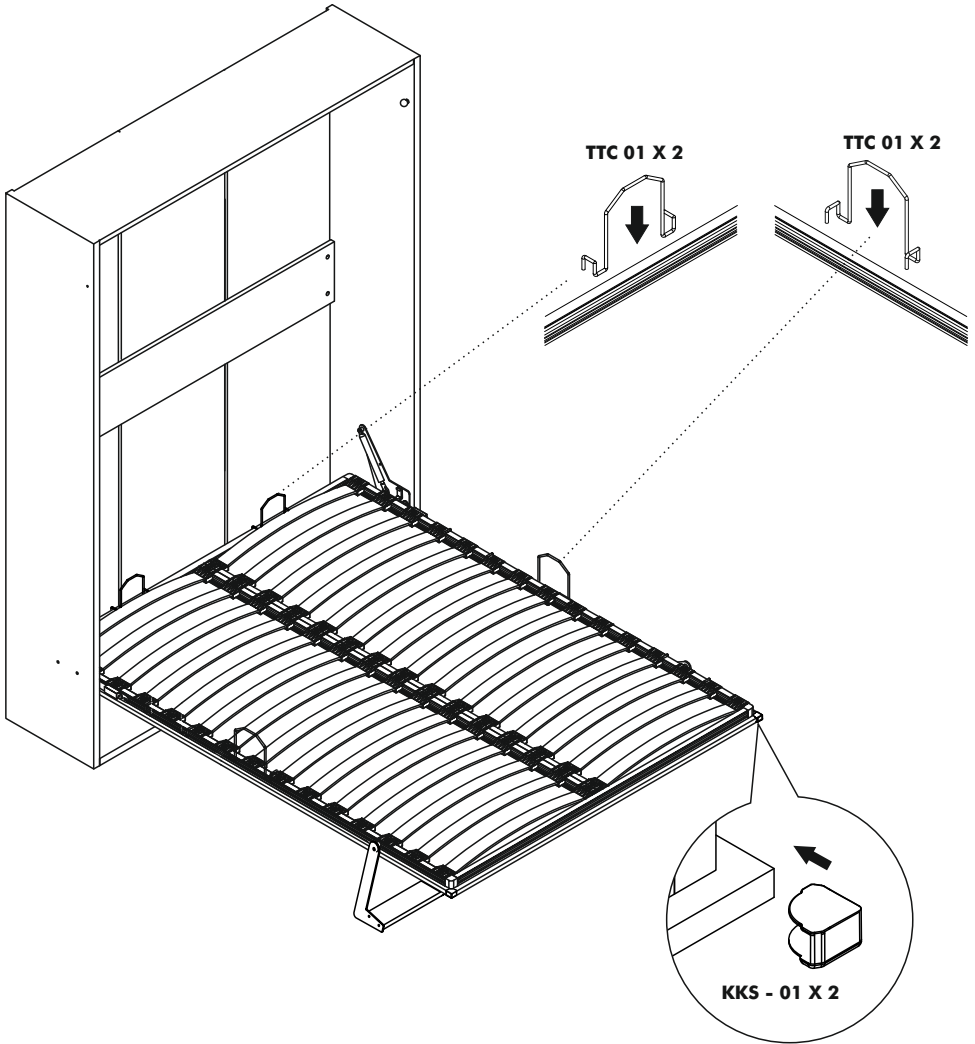
STEP 9



VIDEO



STEP 10

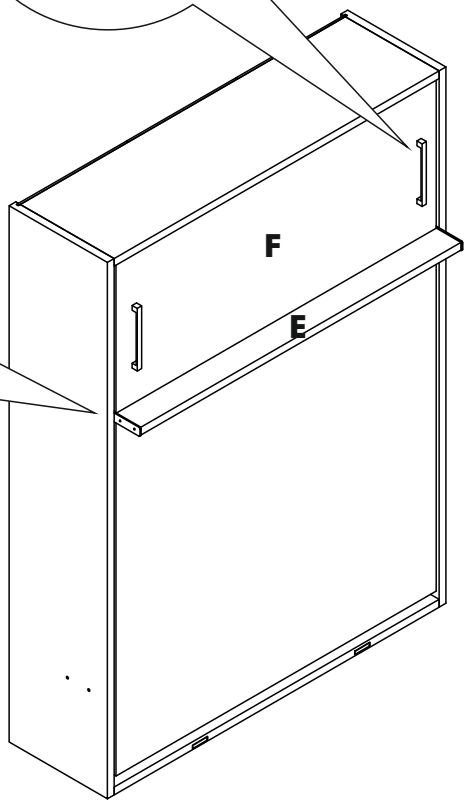
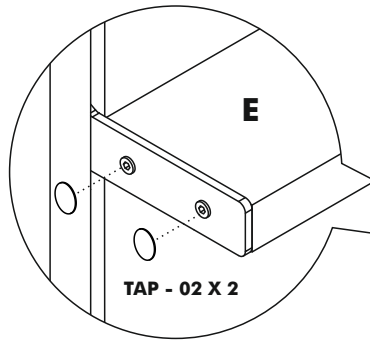
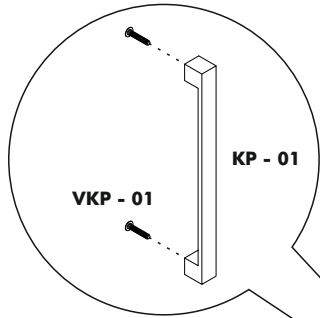


VIDEO



https://youtu.be/KmC-fNj_DNA

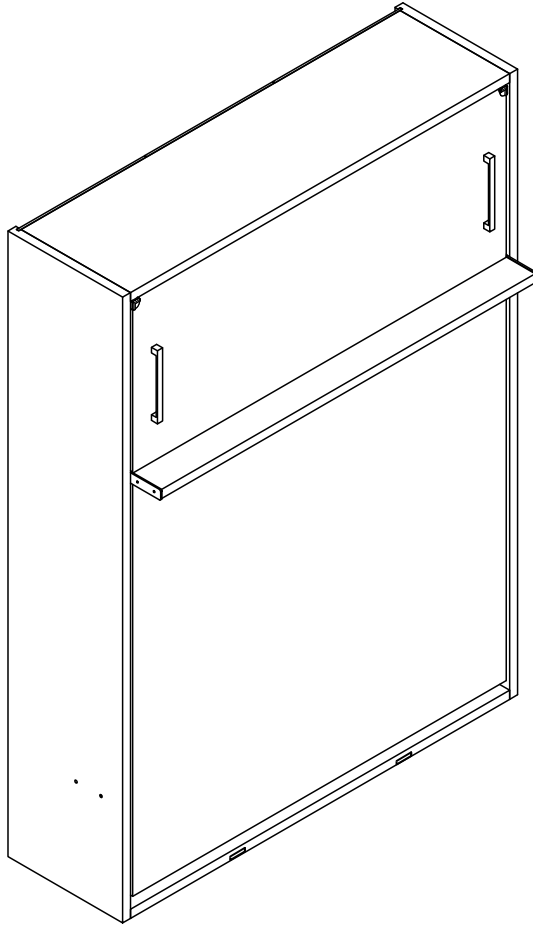
STEP 11



VIDEO



<https://youtu.be/i8NzEUPaZ4s>



ATTENTION / HOW TO / READ ME / OWNER'S GUIDE

1. When mounting on a regular drywall, furniture must be fastened to wood or metal studs. Solid walls made of brick, concrete or similar strong material are also acceptable. Do not mount furniture to paper-mache or sheet rock like material without properly attaching to stud.
2. For safety and product longevity you must periodically inspect the mounting and mechanical connections for integrity and tightness. Confirm hardware remains properly affixed and connections snug.
3. Wall Bed mattress thickness may not exceed 8 inch. Take care to remove pillows and excess blankets before closing. Doing so keeps mechanism free of obstruction and unnecessary stress.
4. Do not lean or rest heavy objects on side or top of furniture. This may cause balance issues and compromise the integrity of your mounting connections.
5. Please use the furniture's beds, desks and shelving as intended. Not designed to be sat, stood, leaned, jumped (etc) on. Improper use may cause personal injury and damage to property.
6. With seasonal humidity change you must inspect interior and exterior of furniture.
7. Single, Twin, Twin XL beds accommodate the weight of one person. Improperly sleeping more than one person risks injury to person and damage to property.
8. Before any un-mounting or disassembly please contact Multimo for technical support and instruction. Failure to properly detach risks injury to person and damage to property.
9. For Bunk Beds:
 - a. Always use provided ladder when accessing top bunk.
 - b. Be slow, careful and aware of surroundings when opening top bunk.
 - c. Do not horseplay. Beds are to be slept on only.
 - d. Some have legs that fully extend when open- be aware of where the leg is and will be.



MULTiMO

www.multimo.com